

目次

IT-G600

• FINAL ASSY	P.2
• LOWER CASE BLOCK	P.4
• INNER CASE BLOCK	P.7
• MAIN BOARD BLOCK	P.10
• UPPER CASE BLOCK	P.12
• BUNDLED ITEMS	P.14

NOTES :

1. Price Code

Refer the latest “Parts Price Code” at “PARTS FINDER” on the “CSII”

2. Remarks

Q'ty: Quantity used per unit

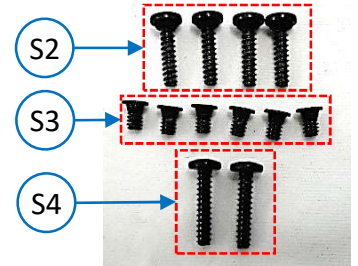
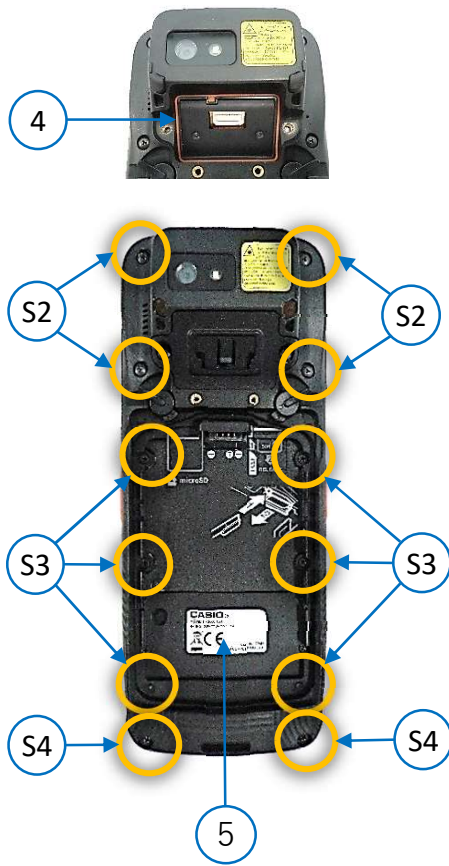
RANK: A = Essential

B = Stock recommended

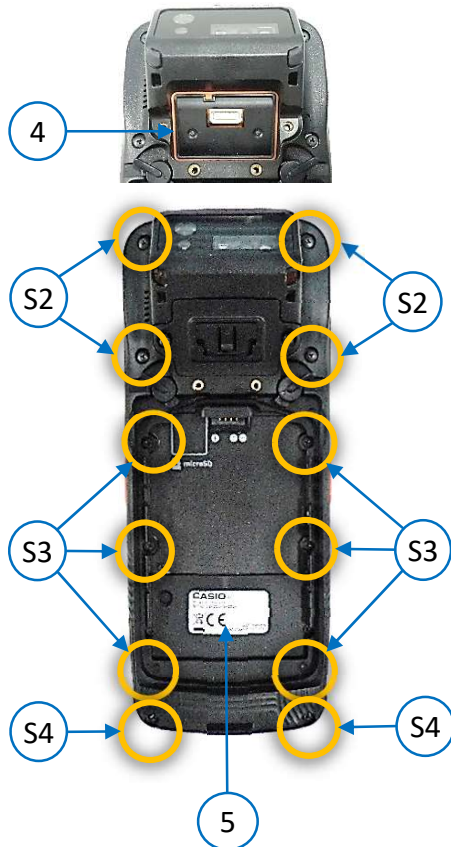
C = Less recommended

【 FINAL ASSY 】

IT-G600-C21
 IT-G600-WC21
 IT-G600-WC01



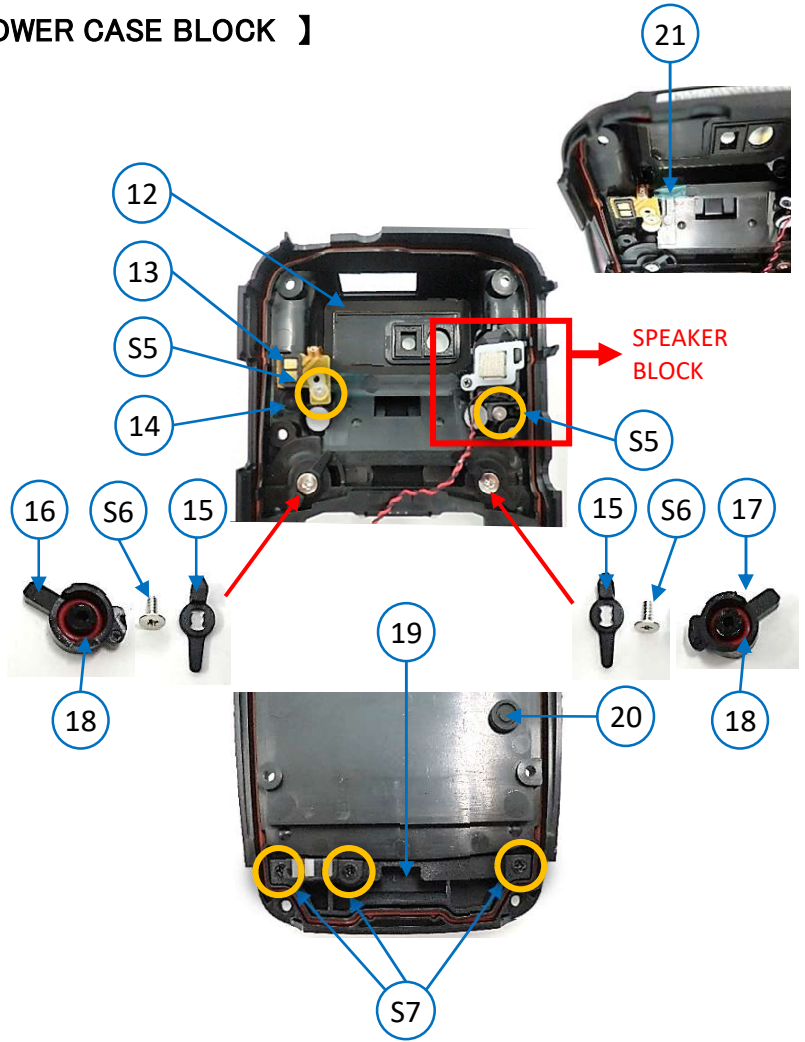
IT-G600-C31
 IT-G600-WC31



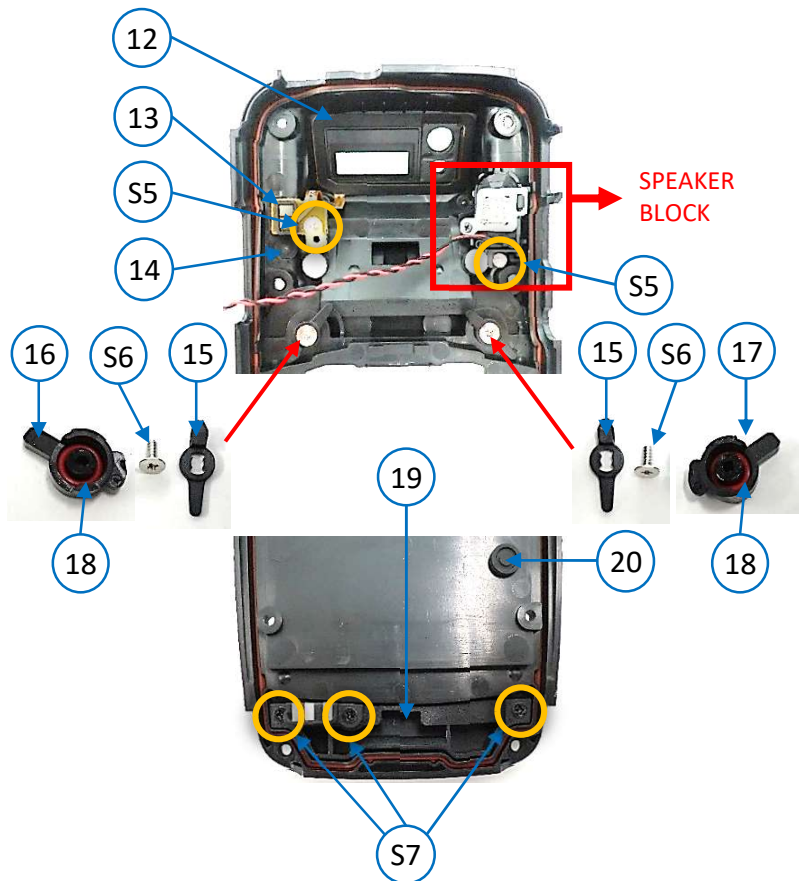
Item	Code No.	Parts Name	Specification	Q'TY					Note	R
				IT-G600-C21	IT-G600-WC21	IT-G600-C31	IT-G600-WC31	IT-G600-WC01		
FINAL ASSY										
1	10621888	COVER/EXT	TK-RJC508083*001	1	1	1	1	1		C
2	10621887	COVER ASSY/BATTERY	TK-RJC508082*001	1	1	1	1	1		C
3	10605859	LABEL/CAUTION	RJC507916-001V01	1	1					C
3	10605843	LABEL/CAUTION	RJC507916-002V01			1	1			C
4	10605768	PACKING/EXT	RJC507986-001V01	1	1	1	1	1		C
5	10605860	LABEL/RATING	RJC507921-001V01	1						C
5	10605865	LABEL/RATING	RJC507921-002V01		1					C
5	10605870	LABEL/RATING	RJC507921-003V01			1				C
5	10605848	LABEL/RATING	RJC507921-004V01				1			C
5	10605873	LABEL/RATING	RJC507921-005V01					1		C
S1	10303505	SCREW	RJC503866-001V01	2	2	2	2	2		C
S2	10610356	SCREW	RJC505566-005V01	4	4	4	4	4		C
S3	10605890	SCREW	RJC504463-013V01	6	6	6	6	6		C
S4	10612638	SCREW	S-BDBT-2X10B3	2	2	2	2	2		C

【 LOWER CASE BLOCK 】

IT-G600-C21
IT-G600-WC21
IT-G600-WC01

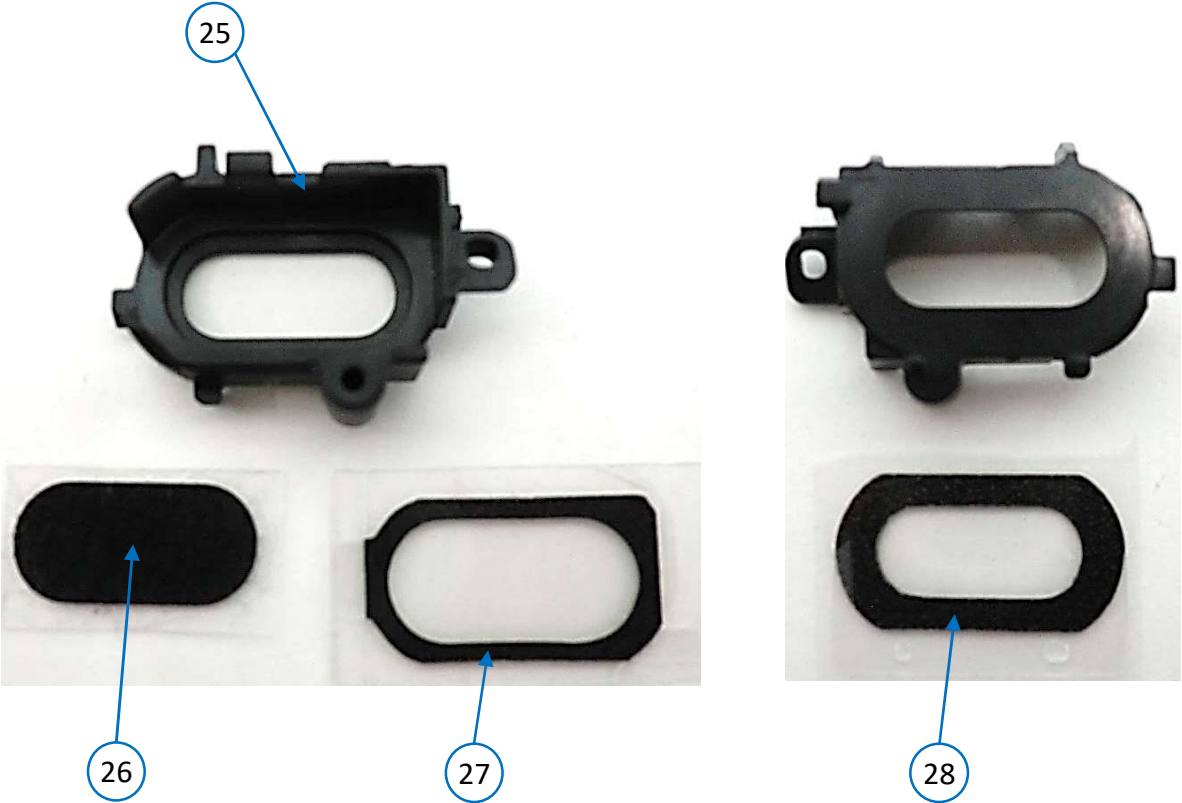
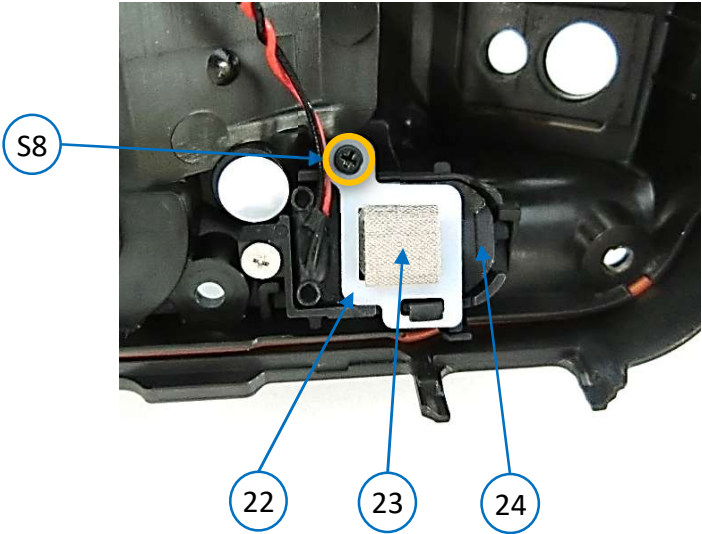


IT-G600-C31
IT-G600-WC31



【 LOWER CASE BLOCK(SPEAKER BLOCK) 】

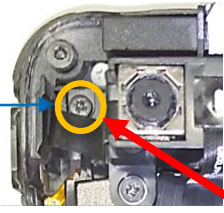
IT-G600-C21
IT-G600-WC21
IT-G600-WC01
IT-G600-C31
IT-G600-WC31



Item	Code No.	Parts Name	Specification	Q'TY					Note	R
				IT-G600-C21	IT-G600-WC21	IT-G600-C31	IT-G600-WC31	IT-G600-WC01		
LOWER CASE BLOCK										
6	10621882	CASE-ASSY/LOWER	TK-RJC508072*001	1						B
6	10621883	CASE-ASSY/LOWER	TK-RJC508072*002		1					B
6	10621884	CASE-ASSY/LOWER	TK-RJC508072*003			1				B
6	10621885	CASE-ASSY/LOWER	TK-RJC508072*004				1			B
6	10621886	CASE-ASSY/LOWER	TK-RJC508072*005					1		B
7	10621193	FILTER/CAM	RJC507994-001V03	1	1			1		C
8	10605828	FILTER/2D	RJC507996-001V01	1	1					C
8	10621194	FILTER/2D	RJC507995-001V03			1	1			C
9	10610364	D-TAPE/SCBLIND	RJC508040-001V01					1		C
10	10605872	BLIND/SCAN	RJC507973-001V01					1		C
11	10605818	PACKING/PL	RJC507992-001V01	1	1	1	1	1		C
12	10618227	FPC/NFCANT25	G01-011664	1	1	1	1	1		C
13	10618314	SHEET/NFC POGO	RJC507934-001V01	1	1	1	1	1		C
14	10605885	FILTER/MIC	RJC507932-001V01	1	1	1	1	1		C
15	10605812	LOCK/BATTERY	RJC507953-001	2	2	2	2	2		C
16	10611766	HOOK-L/BATTERY	RJC507952-001V02	1	1	1	1	1		C
17	10611765	HOOK-R/BATTERY	RJC507951-001V02	1	1	1	1	1		C
18	10611284	RING/LOCK/BATTERY	RJC508137-001V01	2	2	2	2	2		C
19	10618228	ANTENNA/MAIN	G01-011659		1		1	1		C
19	10618226	ANTENNA/MAIN/DUMMY	G01-011660	1		1				C
20	10606192	COVER/RESET	RJC508094-001V01	1	1	1	1	1		C
21	10288956	TAPE-B/CONNECTOR	RJC503687-002V01	1	1			1		C
22	10618207	SHEET/SPEAKER	RJC508133-001V01	1	1	1	1	1		C
23	10615320	FORM/EMI	RJC507942-001V01	1	1	1	1	1		C
24	10618245	SPEAKER	G01-011663	1	1	1	1	1		C
25	10610831	HOLDER/SPEAKER	RJC508122-001V01	1	1	1	1	1		C
26	10613629	FILTER/SPEAKER	RJC508151-001V01	1	1	1	1	1		C
27	10610358	TAPE/SPEAKER	RJC508120-001V01	1	1	1	1	1		C
28	10613630	D-TAPE/SPEAKER	RJC508150-001V01	1	1	1	1	1		C
S5	10605893	SCREW	RJC504463-018V01	2	2	2	2	2		C
S6	10611283	SCREW	RJC504463-020V01	2	2	2	2	2		C
S7	10391411	SCREW	RJC504531-007V01	3	3	3	3	3		C
S8	10610353	SCREW	FBP-1435EB-02	1	1	1	1	1		C

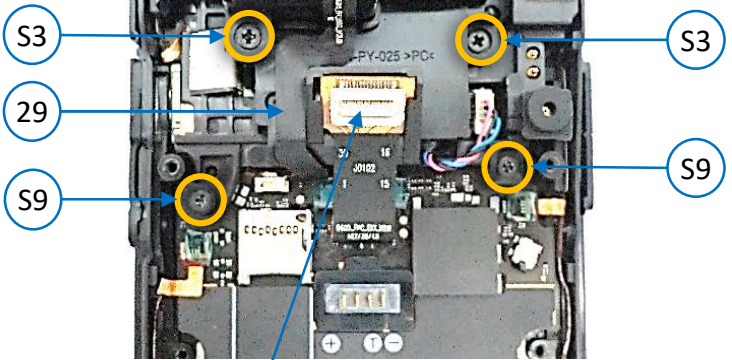
【 INNER CASE BLOCK 】

IT-G600-C21
 IT-G600-WC21
 IT-G600-WC01



S3

30 31 32



S3

29

S9

S3

S9

33



34

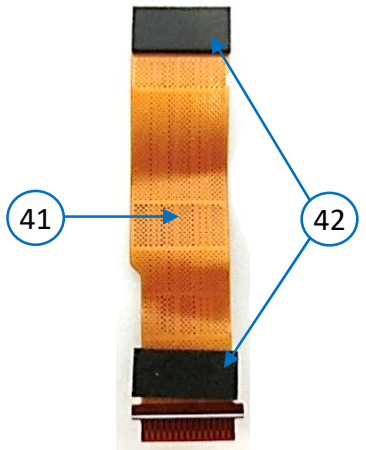
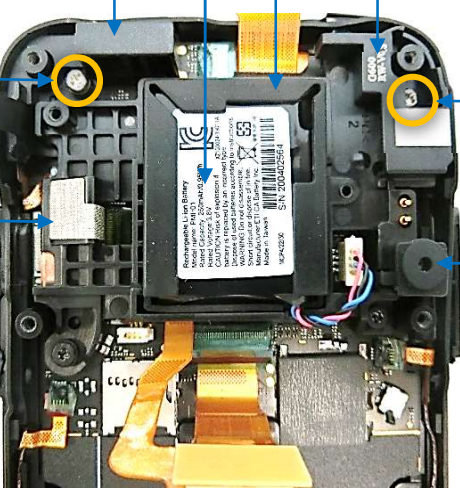
36 37 38 39

S10

35

S10

40

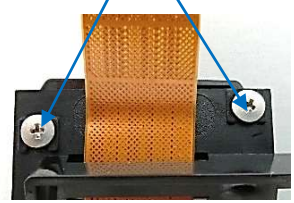
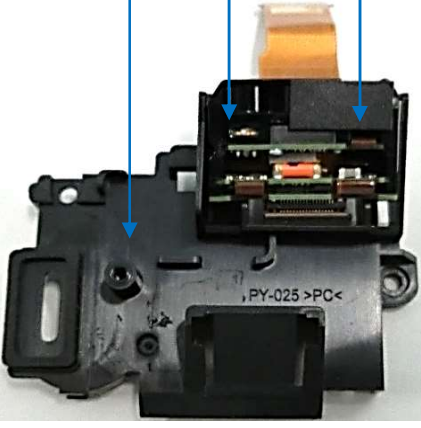


41

42

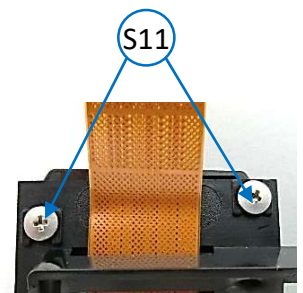
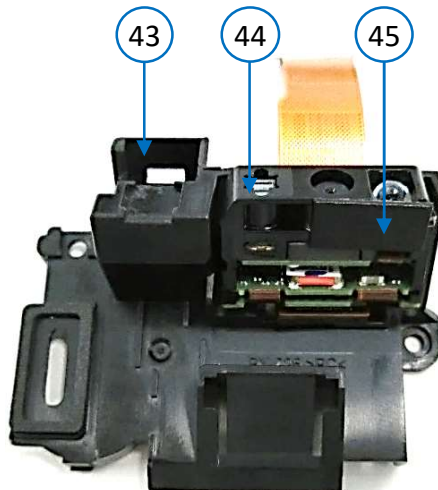
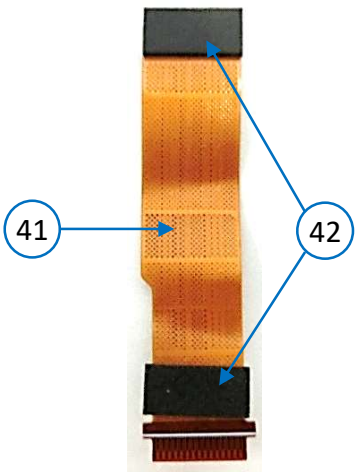
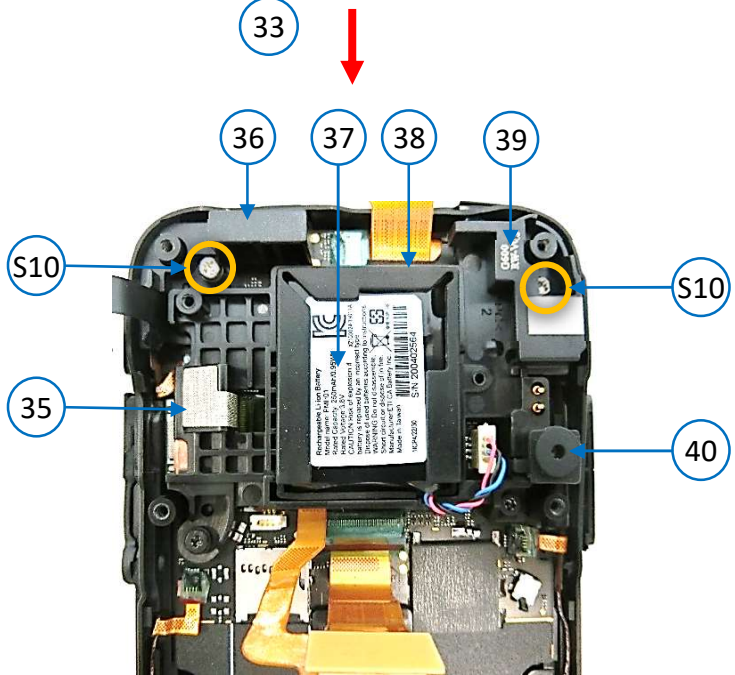
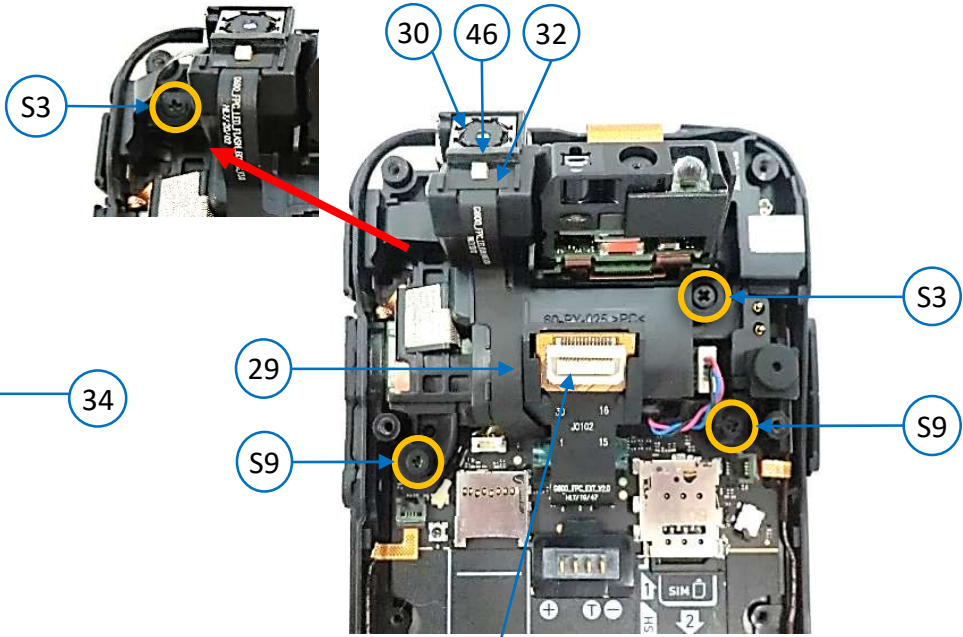
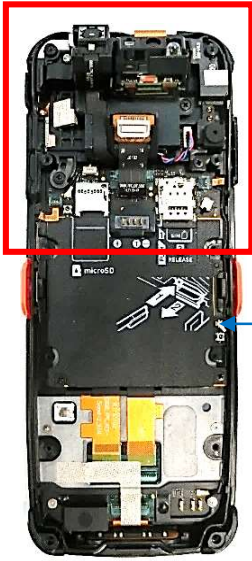
43 44 45

S11



【 INNER CASE BLOCK 】

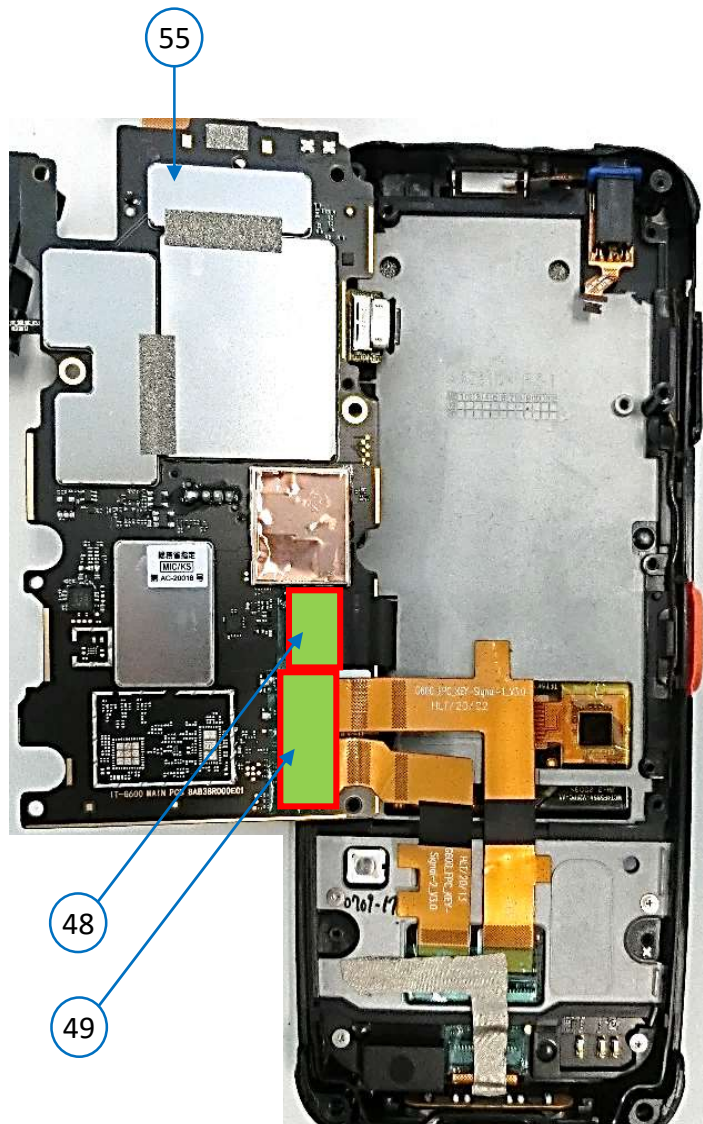
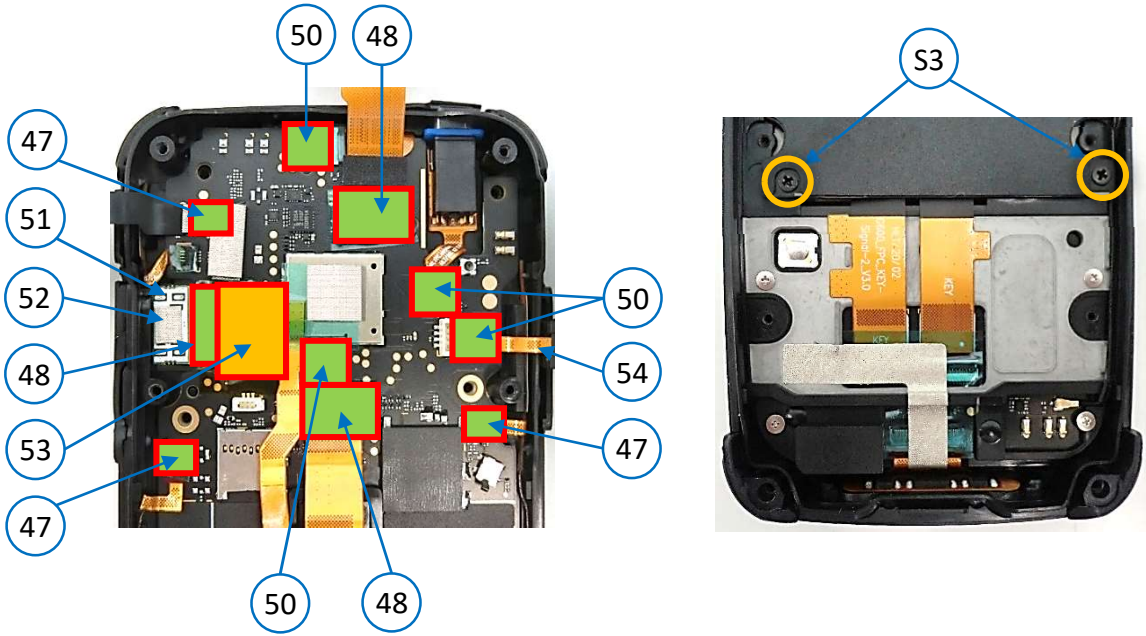
IT-G600-C31
IT-G600-WC31



Item	Code No.	Parts Name	Specification	Q'TY					Note	R
				IT-G600-C21	IT-G600-WC21	IT-G600-C31	IT-G600-WC31	IT-G600-WC01		
INNER CASE BLOCK										
29	10618231	FPC/FLASH	G01-011648	1	1			1		B
29	10618238	FPC/FLASH	G01-011649			1	1			B
30	10621890	FPC/CAM	TK-RJC508117*001	1	1			1		B
30	10621891	FPC/CAM	TK-RJC508117*002			1	1			B
31	10605800	HOLDER/CAM	RJC507977-001V01	1	1			1		C
32	10605792	SHEET/FLASH	RJC507915-001V01	1	1	1	1	1		C
33	10618232	FPC/EXT	G01-011650	1	1	1	1	1		B
34	10618237	RF-CABLE/MAIN	G01-011661		1		1	1		C
35	10621889	CASE-UNIT/INNER	TK-RJC508115*001	1	1	1	1	1		C
36	10618236	ANTNNA/DIVERSITY	G01-011657		1		1	1		C
36	10618229	ANTNNA/DUMMY	G01-011658	1		1				C
37	10605794	BATTERY/SUB	BP18-002120	1	1	1	1	1	LI-ION	C
38	10605795	HOLDER/SBAT	RJC507993-001V01	1	1	1	1	1		C
39	10618230	ANTENNA/WLANGPS	G01-011656	1	1	1	1	1		C
40	10605830	HOLDER/SUB MIC	RJC507990-001V01	1	1	1	1	1		C
41	10618239	FPC/2D	G01-011652	1	1	1	1			B
42	10615321	SPACER/2D FPC	RJC507928-001V01	2	2	2	2			C
43	10605875	HOLDER/2D	RJC507962-001V01	1	1			1		C
43	10605880	HOLDER/2D	RJC507963-001V01			1	1			C
44	10605862	SCANNER/2D	N6703SR-W5-28742	1	1	1	1			A
45	10615319	2D-PET-SHEET	RJC507925-001V01	1	1	1	1			C
46	10615316	CUSHION/CLED	RJC508156-001V01			1	1			C
S3	10605890	SCREW	RJC504463-013V01	5	5	4	4	5		C
S9	10605892	SCREW	RJC504463-017V01	2	2	2	2	2		C
S10	10605891	SCREW	RJC504463-015V01	2	2	2	2	2		C
S11	10605893	SCREW	RJC504463-018V01	2	2	2	2			C

【 MAIN BOARD BLOCK 】

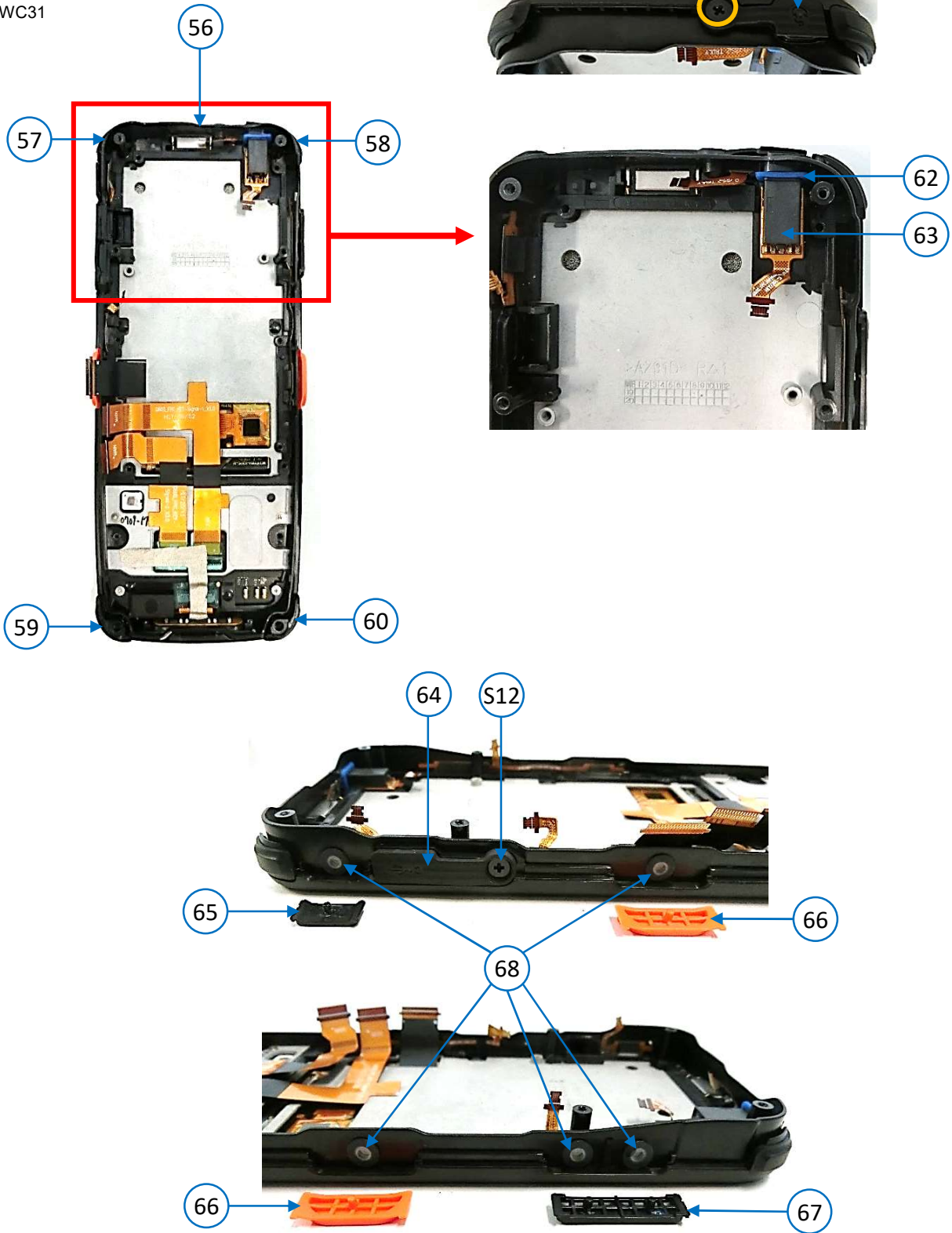
IT-G600-C21
 IT-G600-WC21
 IT-G600-WC01
 IT-G600-C31
 IT-G600-WC31



Item	Code No.	Parts Name	Specification	Q'TY					Note	R
				IT-G600-C21	IT-G600-WC21	IT-G600-C31	IT-G600-WC31	IT-G600-WC01		
MAIN BOARD BLOCK										
47	10613796	TAPE-I/CONNECTOR	RJC503687-009V01	3	3	3	3	3		C
48	10288956	TAPE-B/CONNECTOR	RJC503687-002V01	4	4	4	4	3		C
49	10288959	TAPE-C/CONNECTOR	RJC503687-003V01	1	1	1	1	1		C
50	10613797	TAPE-J/CONNECTOR	RJC503687-010V01	4	4	4	4	4		C
51	10618233	FPC/USB	G01-011654	1	1	1	1	1		B
52	10605889	FORM/EMI-B	RJC507943-001V01	1	1	1	1	1		C
53	10615315	TAPE/ESD	RJC508155-001V01	1	1	1	1	1		C
54	10618234	FPC/SUBMIC	G01-011642	1	1	1	1	1		B
55	10622988	PCB ASSY/MAIN	TK-RJC508175*001	1		1				A
55	10622989	PCB ASSY/MAIN	TK-RJC508175*002		1		1	1		A
S3	10605890	SCREW	RJC504463-013V01	2	2	2	2	2		C

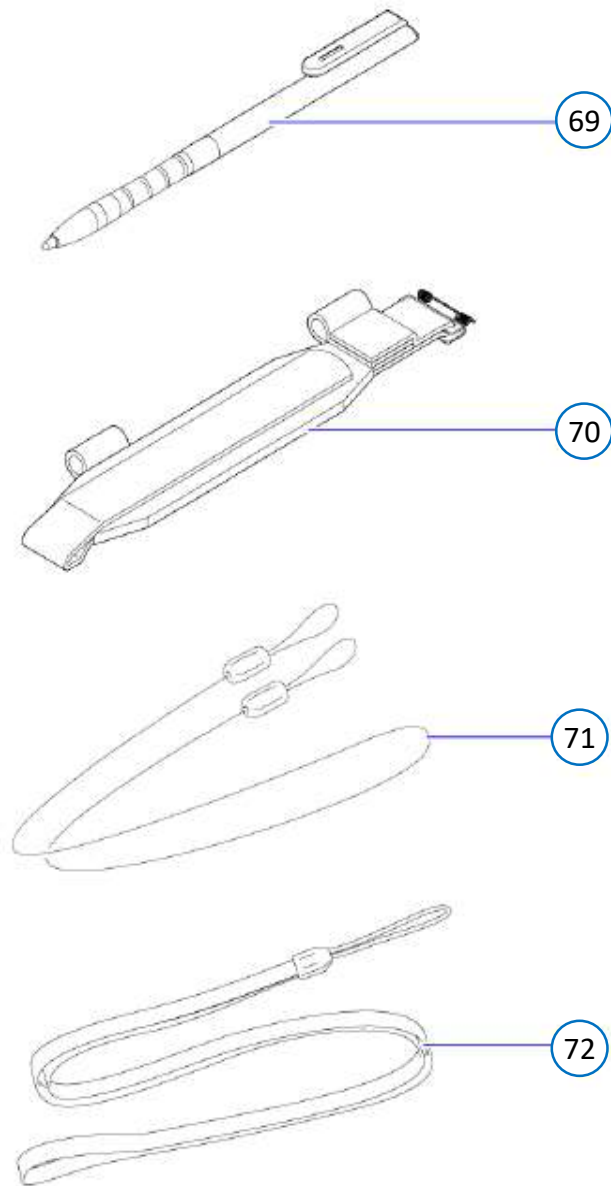
【 UPPER CASE BLOCK 】

IT-G600-C21
 IT-G600-WC21
 IT-G600-WC01
 IT-G600-C31
 IT-G600-WC31



Item	Code No.	Parts Name	Specification	Q'TY					Note	R
				IT-G600-C21	IT-G600-WC21	IT-G600-C31	IT-G600-WC31	IT-G600-WC01		
UPPER CASE BLOCK										
56	10621881	CASE-UNIT/UPPER	TK-RJC508070*001	1	1	1	1	1		B
57	10605835	DAMPER/TOP-R	RJC507970-001V01	1	1	1	1	1		C
58	10605834	DAMPER/TOP-L	RJC507969-001V01	1	1	1	1	1		C
59	10605837	DAMPER/BOTTOM-R	RJC507972-001V01	1	1	1	1	1		C
60	10605836	DAMPER/BOTTOM-L	RJC507971-001V01	1	1	1	1	1		C
61	10605832	CAP/PHONE	RJC507975-001V01	1	1	1	1	1		C
62	10618068	PACKING/PHONE	RJC508162-001V01	1	1	1	1	1		C
63	10618235	FPC/EARJACK	G01-011641	1	1	1	1	1		C
64	10605833	CAP/USB	RJC507968-001V01	1	1	1	1	1		C
65	10605838	KEY/POWER	RJC507967-001V01	1	1	1	1	1		C
66	10605840	KEY/SIDE	RJC507964-001V01	2	2	2	2	2		C
67	10605839	KEY/VOLUME	RJC507966-001V01	1	1	1	1	1		C
68	10605886	RUBBER/KEY	RJC507984-001V01	5	5	5	5	5		C
S12	10385301	SCREW	RJC504463-003V01	2	2	2	2	2		C

【 BUNDLED ITEMS 】



Item	Code No.	Parts Name	Specification	Q'TY					Note	R
				IT-G600-C21	IT-G600-WC21	IT-G600-C31	IT-G600-WC31	IT-G600-WC01		
BUNDLED ITEMS										
69	10615313	PEN	RJC508121-001V01	1	1	1	1	1		C
70	10610662	HAND BELT	C-HB-PY025-A	1	1	1	1	1		C
71	10490170	PEN CODE	C-PC-PY024-A	1	1	1	1	1		C
72	10493972	NECK STRAP	RJC507343-001	1	1	1	1	1		C